



CÂMARA DE REDE

Guia de consulta rápida

PNO-A9311R



Important

Please check 'Manuals' from our website, before connecting to the Supply,
<https://www.hanwhavision.com/en/download-data/>

Warranty

Please check "Product warranty information" from our website.
<https://www.hanwhavision.com/en/support/warranty/>

We recommend to use the officially compatible VMS version or latest Hanwha NVR version when integrating with VMS or Hanwha NVR.

The Risk Group 1 of a LEDs include in the equipment, so should be attached RG1 warning label at the end-product.



Hanwha Vision cares for the environment at all product manufacturing stages, and is taking measures to provide customers with more environmentally friendly products.

The Eco mark represents Hanwha Vision's devotion to creating environmentally friendly products, and indicates that the product satisfies the EU RoHS Directive.



Correct Disposal of This Product (Waste Electrical & Electronic Equipment)

(Applicable in the European Union and other European countries with separate collection systems)

This marking on the product, accessories or literature indicates that the product and its electronic accessories (e.g. charger, headset, USB cable) should not be disposed of with other household waste at the end of their working life. To prevent possible harm to the environment or human health from uncontrolled waste disposal, please separate these items from other types of waste and recycle them responsibly to promote the sustainable reuse of material resources.

Household users should contact either the retailer where they purchased this product, or their local government office, for details of where and how they can take these items for environmentally safe recycling.

Business users should contact their supplier and check the terms and conditions of the purchase contract.

This product and its electronic accessories should not be mixed with other commercial wastes for disposal.



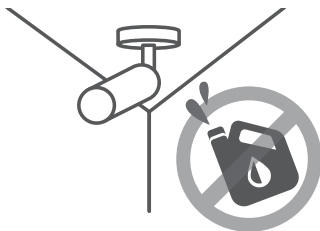
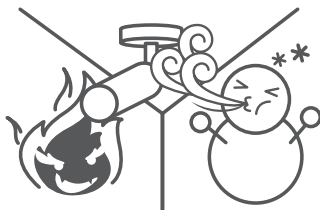
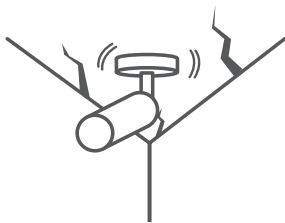
Correct disposal of batteries in this product

(Applicable in the European Union and other European countries with separate battery return systems.)

This marking on the battery, manual or packaging indicates that the batteries in this product should not be disposed of with other household waste at the end of their working life. Where marked, the chemical symbols Hg, Cd or Pb indicate that the battery contains mercury, cadmium or lead above the reference levels in EC Directive 2006/66. If batteries are not properly disposed of, these substances can cause harm to human health or the environment.

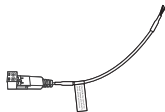
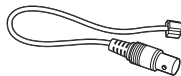
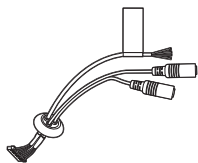
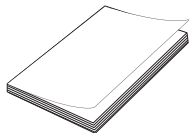
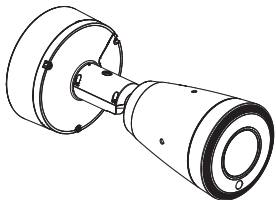
To protect natural resources and to promote material reuse, please separate batteries from other types of waste and recycle them through your local, free battery return system.

SAFETY INFORMATION



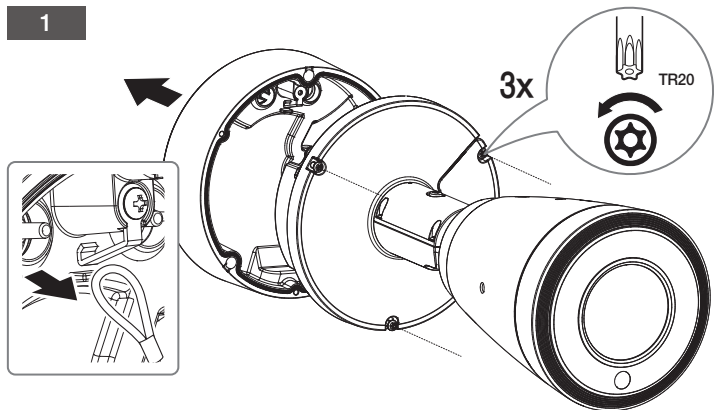
COMPONENT

Dado que para cada país de vendas, os acessórios não são os mesmos.

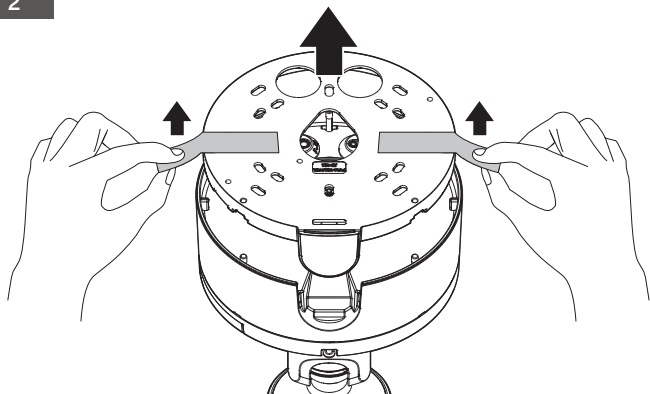


INSTALLATION

1



2

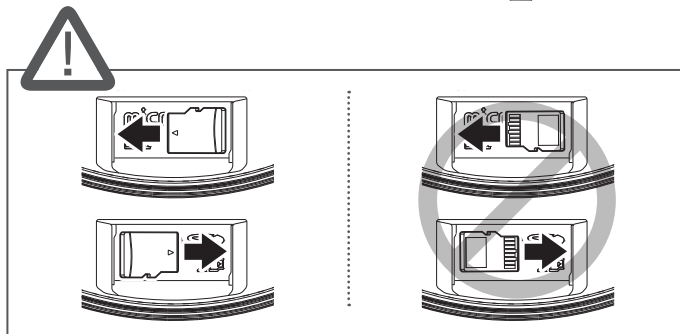
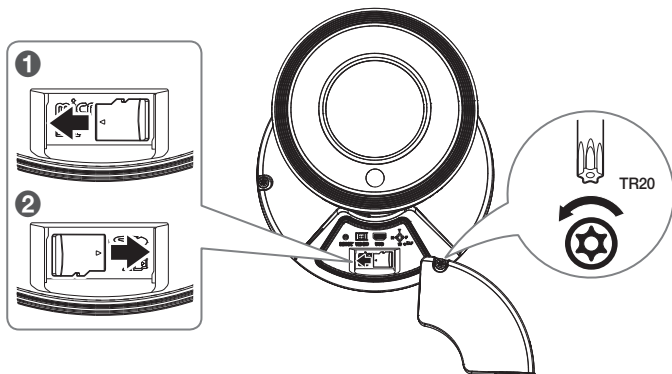


5

INSTALLATION

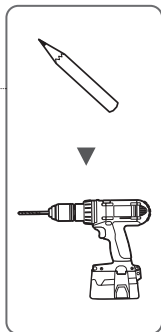
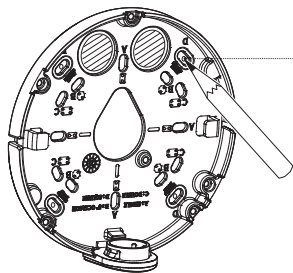
3

• Não incluído : Cartão Micro SD



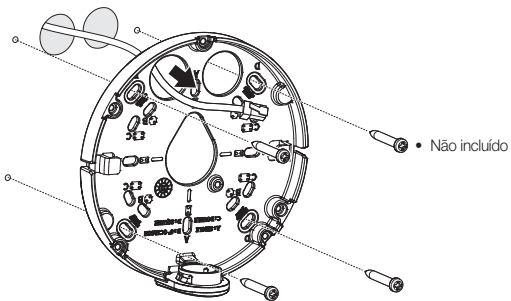
INSTALLATION

4



5

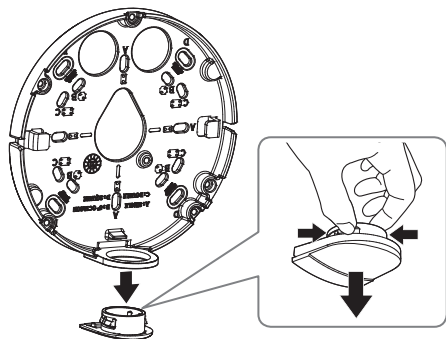
- Instalação direta em parede/teto



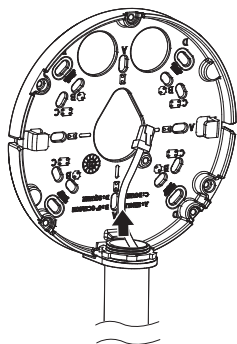
INSTALLATION

6-1

• Instalação com tubo

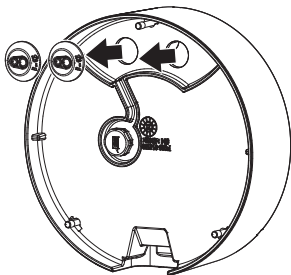


6-2



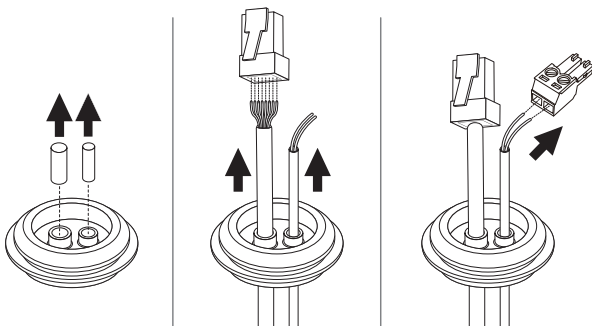
INSTALLATION

7



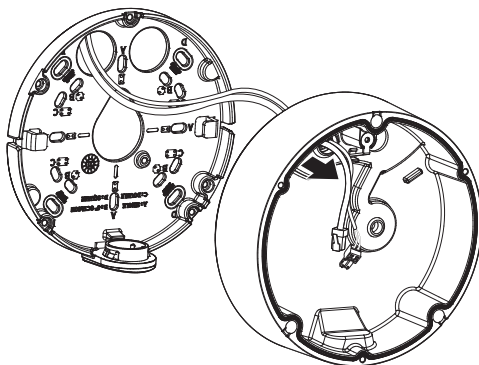
8-1

- Instalar cabo de rede/de alimentação



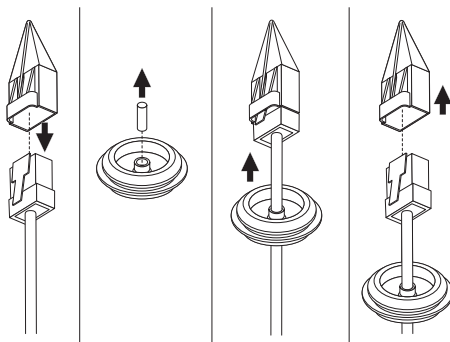
INSTALLATION

8-2



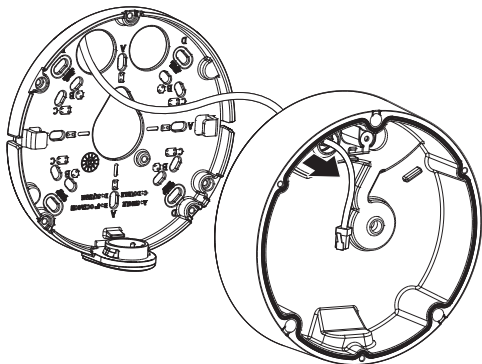
9-1

- Instalar o cabo de rede (IP66)



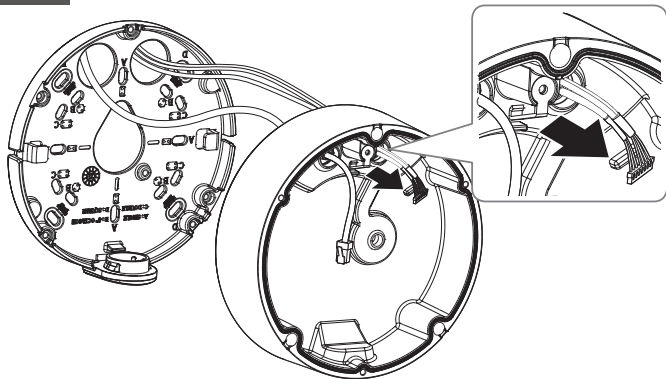
INSTALLATION

9-2



10

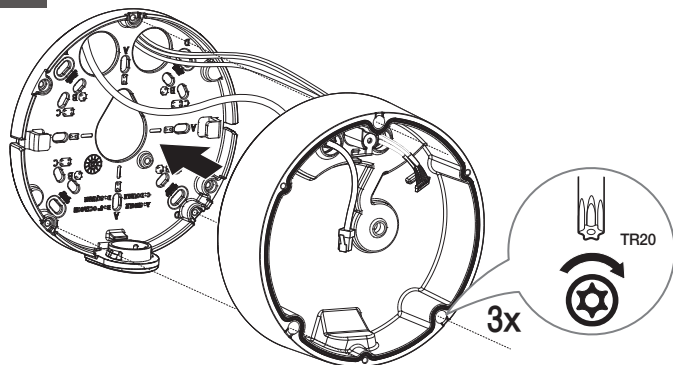
- Instalar cabos de áudio/alarme



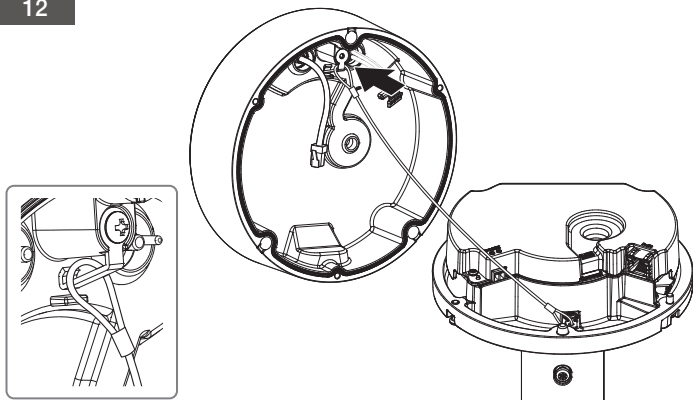
11

INSTALLATION

11



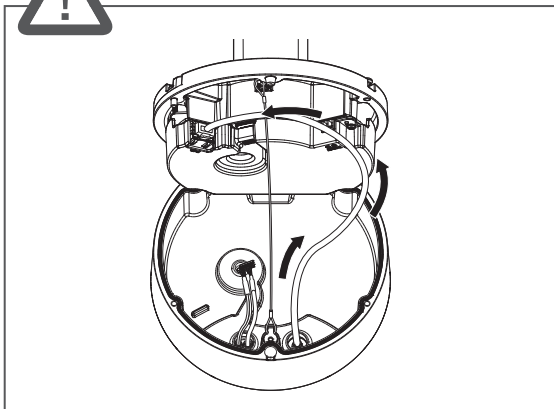
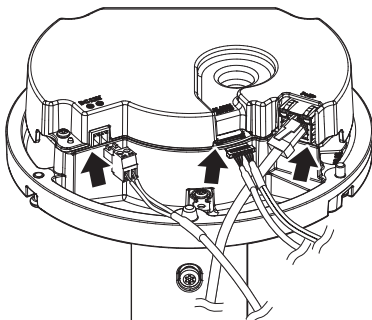
12



12

INSTALLATION

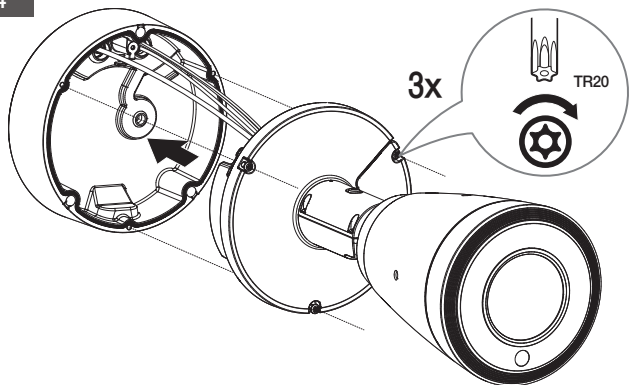
13



13

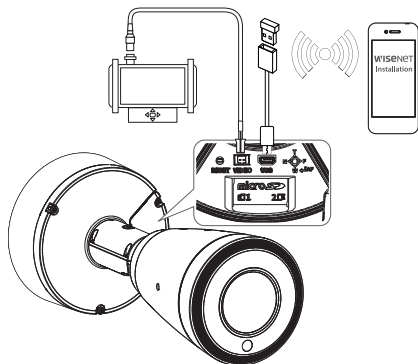
INSTALLATION

14



15

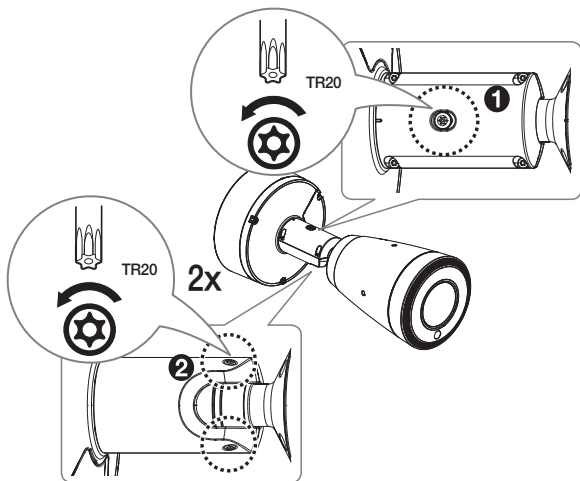
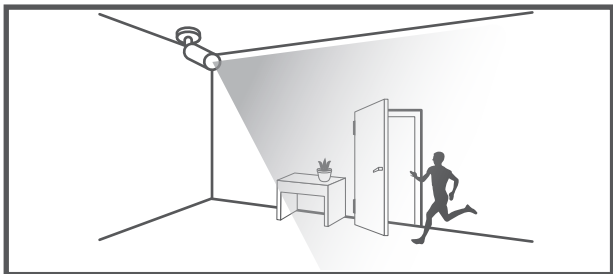
- Não incluído: Dongle Wi-fi, adaptador OTG



14

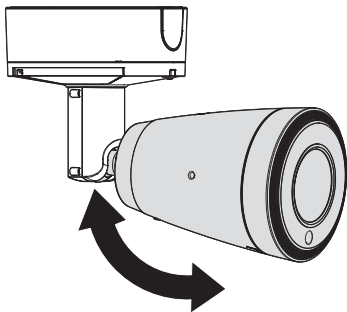
INSTALLATION

16-1

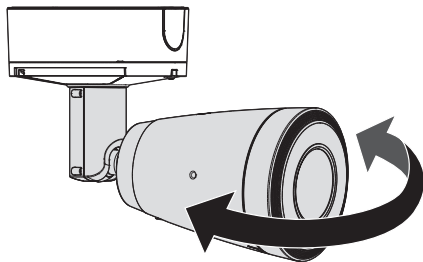


INSTALLATION

16-2

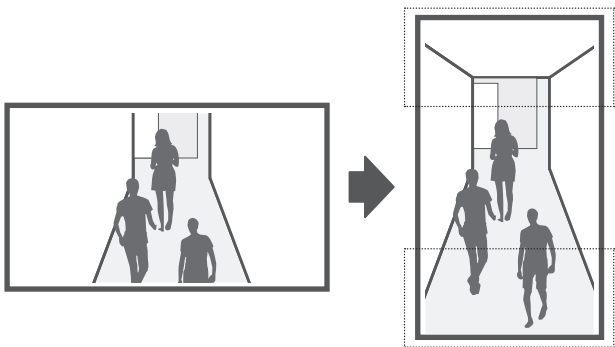
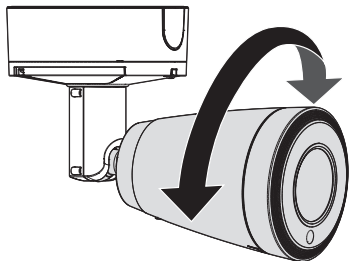


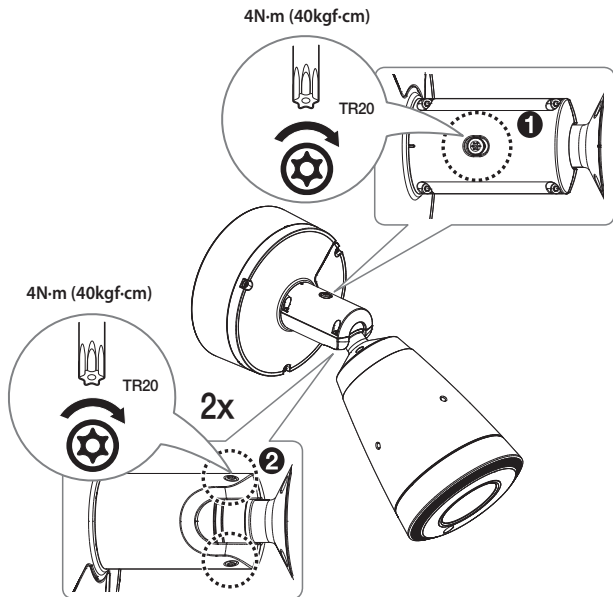
16-3



INSTALLATION

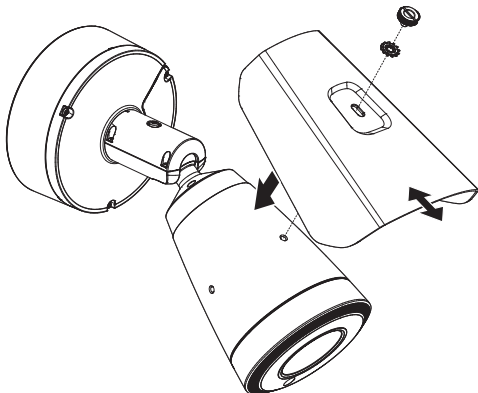
16-4



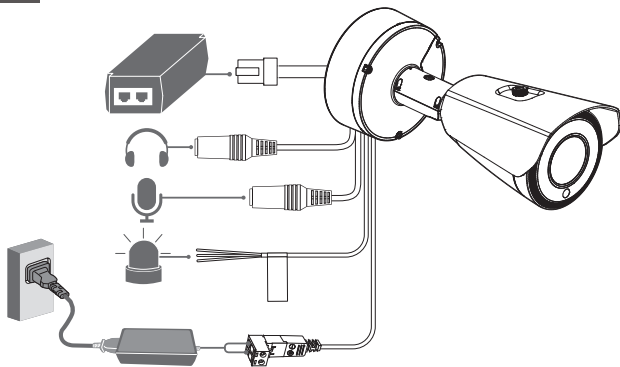


INSTALLATION

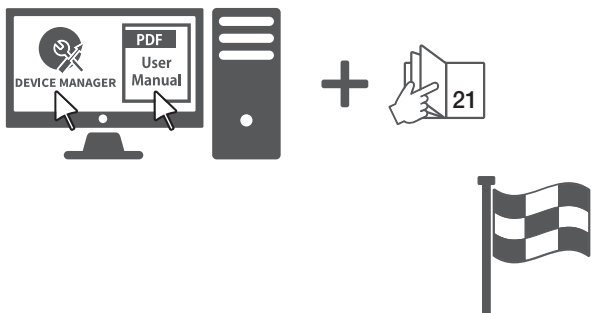
18



19



19



CONFIGURAÇÃO DE SENHA

Quando voce acessar o produto pela primeira vez, voce deve registrar o logon e senha.

Administrator password change

New password

Confirm new password

- If the password is 8 to 9 characters long, it must include at least 3 of the following character types: English uppercase letters, English lowercase letters, numbers, and special characters (support up to 64 characters)
- If the password is 10 characters or longer, it must include at least 2 of the following character types: English uppercase letters, English lowercase letters, numbers, and special characters
- ID may not be used as password. The password and ID cannot be identical
- The following special characters can be used: ~!@#\$%^&*()_+=[{}|\\;:'<>.,?/
- You may not use more than 4 consecutive characters. (example: 1234, abcd, etc.)
- You may not use the same character 4 or more times consecutively. (example: 1111, abaa, etc.)

Apply



- Para uma nova senha com 8 a 9 caracteres, você deve usar pelo menos 3 letras maiúsculas/minúsculas, números e caracteres especiais. Para uma senha com 10 caracteres ou mais, você deve usar pelo menos 2 dos tipos mencionados. (suporta até 64 caracteres)
- Caracteres especiais são permitidos. :
~!@#\$%^&*()_+=[{}|\\;:'<>.,?/
- Não é possível usar espaço na senha.
- Para maior segurança, não recomendamos repetir nas suas senhas os mesmos caracteres ou entradas consecutivas no teclado.
- Se perdeu a sua senha, pode pressionar o botão **[RESET]** para reinicializar o produto. Por isso, não perca sua senha, usando o um bloco notas ou memorizando-a.

LOGIN

Sempre que você acessar a câmera, a janela de logon é exibida.

Insira o ID do usuário e a senha para acessar a câmera.

- 1 Digite "admin" na caixa de entrada <User Name>.
- 2 Digite a senha no campo de entrada <Password>
- 3 Clique em **[Sign in]**.

CONEXÃO WiFi

Configuração da câmera

- 1 Ligue o adaptador OTG (5-pinos) e o dongle WiFi ao terminal Micro USB.

Configuração e Smartphone

- 1 Instale o aplicativo Wisenet Installation.
- 2 Selecione o SSID da câmera após ligar o WiFi.
- 3 Execute o aplicativo Wisenet Installation.
- 4 Quando você se conecta à câmera, o vídeo será ligado.
 - O vídeo será reproduzido sem estar você estar conectado durante a ligação inicial.
- 5 Você pode ajustar o ângulo de visualização vendo o vídeo através de seu smartphone.



Подлежит использованию по назначению
в нормальных условиях
Срок службы : 7 лет.

Türkiye Distribütörü

EDS Elektronik Destek Sanayi ve Ticaret Ltd. Şti.

Meclis Mah. Teraziler Cad. Hayran Sk. (Eskisi Kılıç Sk.) No: 4 Sancaktepe / İstanbul / Türkiye

Tel +90.216.313.25.15 Faks +90.216.528.45.98

Koyuncu Elektronik Bilgi İşlem Sistemleri San. ve Dış. Tic. A.Ş.

Emek Mah. Ordu Cad. No:18 Sancaktepe / İstanbul / Türkiye

Tel +90.216.528.88.88 Faks +90.216.313.18.18

NFS Teknoloji ve Otomasyon Sistemleri San. Ve Tic. Ltd. Şti.

Cumhuriyet Mah Şair M.Akif Ersoy Sk. No:36 Üsküdar / İstanbul / Türkiye

Tel +90.216.505.82.28 Faks +90.216.505.82.29

Sensonet Teknoloji Elekt. ve Biliş. Hiz. San. ve Tic. Ltd. Şti.

Ramazanoğlu Mah. Transtek Cad. No: 2 Pendik / İstanbul / Türkiye

Tel +90.216.999.49.49 Faks +90.212.381.61.02

ENTES ELEKTRONİK CİHAZLAR İMALAT VE TİC. A.Ş.

Dudullu Org.San.Bölg. 1. Cad. No:23 34776 Ümraniye - İstanbul / Türkiye

Tel +90.216.313.01.10 Faks +90.216.314.16.15

Cihazın Ticaret Bakanlığınca önerilen ortalama ömrü

Cihazın EEE yönetmeliklerine uygun olduğuna benzer beyan

